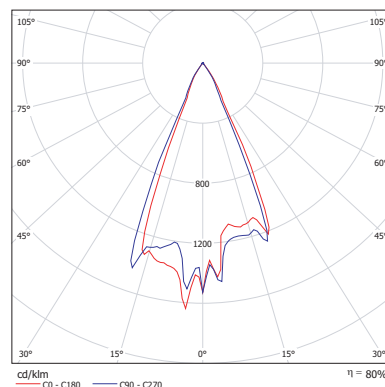
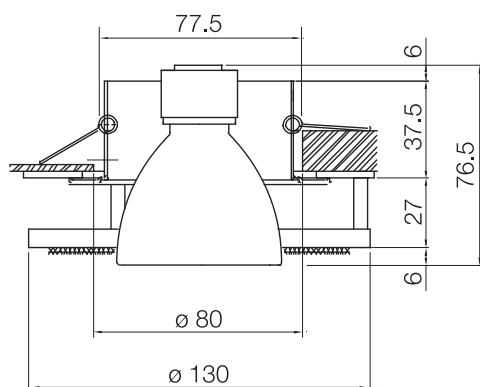


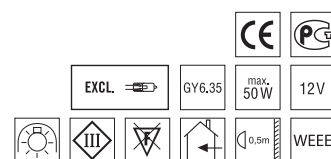
## Crystal Spots FANA recessed ceiling luminaire



These two spots light rooms evenly and are therefore very versatile – their soft, pastel-blue light provides unique accents – and the decorative crystal-set ring creates elegant reflections on the ceiling.



Lamp type:	low-voltage halogen lamp
Lamp denomination:	Osram Halostar IRC
Reflector:	Swarovski glass reflector (translucent)
Base:	pin base GY6.35
Voltage:	12 V
Power:	50 W
Depth of insertion:	40 mm
Ceiling thickness:	1 - 15 mm
Ceiling opening :	Ø 80 mm
Product weight:	420 g
Environmental conditions for installation:	installation only in dry rooms (indoor). Not suitable for saunas, steam-baths, etc.



Product	Article number	Version
FANA	A.9950 NR ... 180 200	titanium silver / brushed aluminium